

Rainwater Goods Order Form



Please view & complete the order form in conjunction with the AKV Trimline Guidance Sheet in order to specify the Gutter Type, dimension X and Dimension Y. Once complete, please fax back to AKV Sales Department **FAX: 01388 776517**

| | | | |
|-----------------|--|--------------------------|--|
| CUSTOMER | | DATE | |
| PROJECT | | ORDER/ENQUIRY NO. | |

GUTTER REFERENCE -

DOUBLE SIDED/BITUMEN INTERNAL? * YES / NO

MATERIAL?

*The internal side will be coated with a bitumen coating if double sided material is unavailable.

PRE-PUNCHED YES / NO

COLOUR?

JOGGLE JOINTS? YES / NO

ROOFPITCH?

TYPE OF STOPENDS? LOOSE / FITTED ?

NO OF PATCH OUTLETS?

NO OF LEFT-HANDED STOPENDS?

NO OF RIGHT-HANDED STOPENDS?

ROOF SHEET PROFILE?

ROOF SHEET COLOUR?

BRACKETS / SUPPORT ARMS? (Delete as applicable)

NO. @

mm

FIXINGS & MASTIC

YES / NO

NO OF BUTT STRAPS (UNPUNCHED) ?

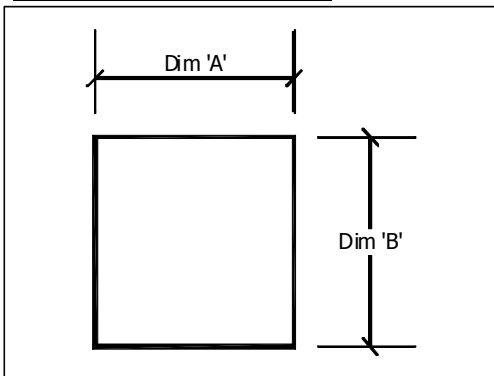
| GUTTER NO. | GUTTER TYPE | GIRTH (mm) | LENGTH (mm) | QUANTITY | DIM Y (mm) |
|------------|-------------|------------|-------------|----------|------------|
| 1 | | | | | |
| 2 | | | | | |
| 3 | | | | | |
| 4 | | | | | |
| 5 | | | | | |



Rainwater Goods Order Form



RAINWATER DOWNPIPES



| | | | | | |
|-----------|--|----|-----------|--|----|
| DIM 'A' : | | MM | DIM 'B' : | | MM |
|-----------|--|----|-----------|--|----|

| | |
|-----------|--|
| MATERIAL: | |
|-----------|--|

| | |
|------------------|--|
| EXTERNAL COLOUR: | |
|------------------|--|

| | |
|----------------------------------|----------|
| DOUBLE SIDED/BITUMEN INTERNAL? * | YES / NO |
|----------------------------------|----------|

*The internal side will be coated with bitumen if double sided unavailable.

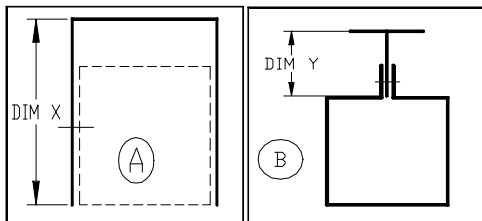
| | | | | |
|-----------|--|-------|--|----|
| QUANTITY: | | NO. @ | | MM |
|-----------|--|-------|--|----|

| | |
|---------------------|------------------|
| PIPE COLLARS | FITTED / LOOSE ? |
|---------------------|------------------|

| | | |
|-----------|--|-----|
| QUANTITY: | | NO. |
|-----------|--|-----|

| | | | |
|----------------|-----------|--|-----|
| ACCESS PLATES: | QUANTITY: | | NO. |
|----------------|-----------|--|-----|

FIXING BRACKETS

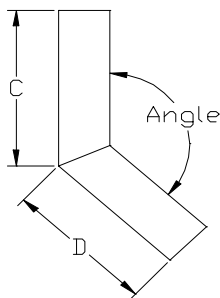


| | |
|---------------|-------|
| BRACKET TYPE? | A / B |
|---------------|-------|

| | | |
|-----------------|--|----|
| DIM X: / DIM Y: | | MM |
|-----------------|--|----|

| | | |
|-----------|--|-----|
| QUANTITY: | | NO. |
|-----------|--|-----|

ELBOW / SWAN-NECK OFFSET SECTION



ELBOWS

| | | |
|-----------|--|----|
| DIM 'C' : | | MM |
|-----------|--|----|

| | | |
|-----------|--|----|
| DIM 'D' : | | MM |
|-----------|--|----|

| | | |
|---------|--|------|
| ANGLE : | | DEG. |
|---------|--|------|

| | | |
|---------------------|--|-----|
| QUANTITY OF ELBOWS: | | NO. |
|---------------------|--|-----|

| | | |
|----------------------|------------------|-----|
| ELBOW COLLARS | FITTED / LOOSE ? | |
| QUANTITY: | | NO. |

SWAN-NECKS

++ Please indicate the seam side for elbows and swan-necks ++

| | | |
|-----------|--|----|
| DIM 'E' : | | MM |
|-----------|--|----|

| | | |
|-----------|--|----|
| DIM 'F' : | | MM |
|-----------|--|----|

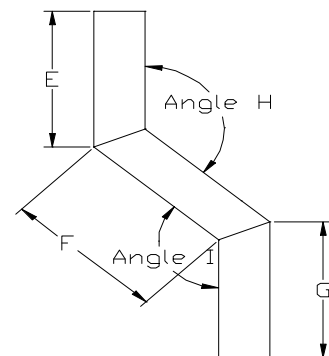
| | | |
|-----------|--|----|
| DIM 'G' : | | MM |
|-----------|--|----|

| | | | | | |
|----------|--|------|----------|--|------|
| ANGLE H: | | DEG. | ANGLE I: | | DEG. |
|----------|--|------|----------|--|------|

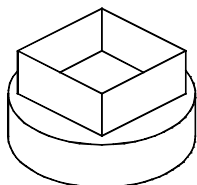
| | | |
|-------------------------|--|-----|
| QUANTITY OF SWAN-NECKS: | | NO. |
|-------------------------|--|-----|

| | |
|--------------------------|------------------|
| SWAN-NECK COLLARS | FITTED / LOOSE ? |
|--------------------------|------------------|

| | | |
|-----------|--|-----|
| QUANTITY: | | NO. |
|-----------|--|-----|



GULLEY ADAPTORS

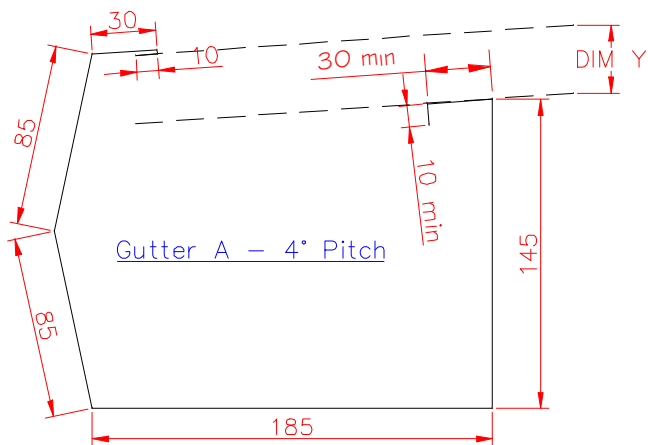
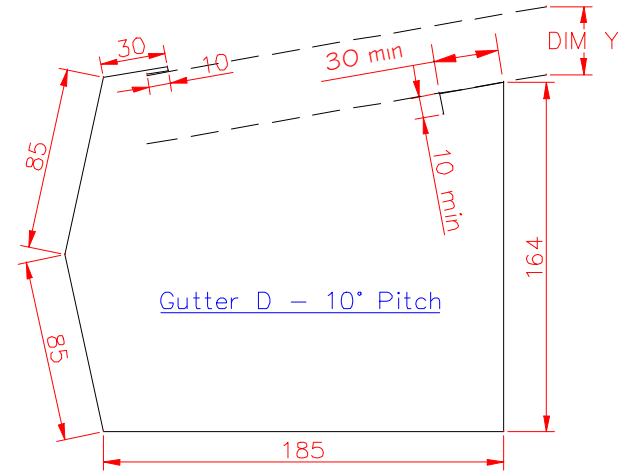
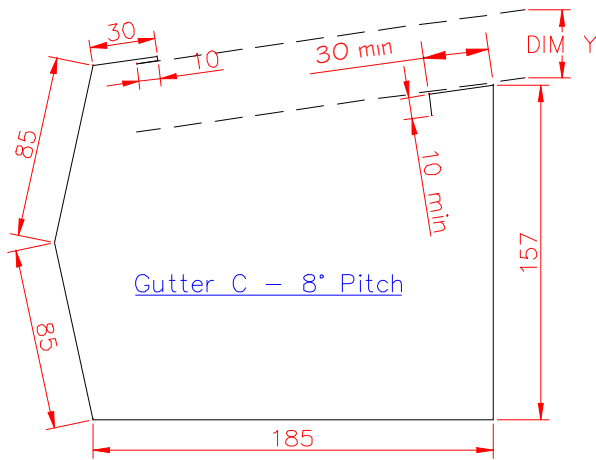
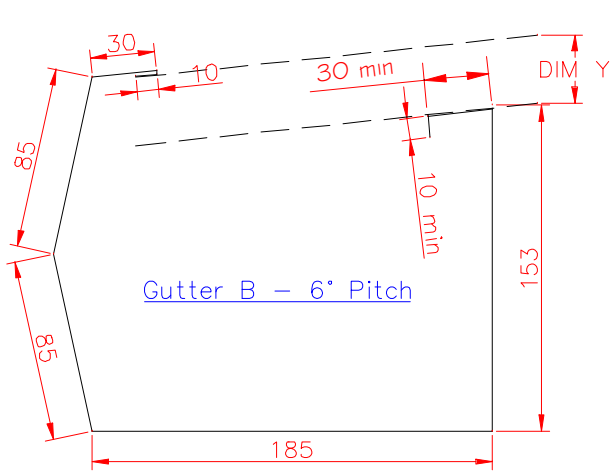


Supplied from in painted galvanised steel

| | | |
|--------------|--|----|
| SQUARE SIZE: | | MM |
|--------------|--|----|

| | | |
|--------------------|--|----|
| TO ROUND DIAMETER: | | MM |
|--------------------|--|----|

| | | |
|-----------|--|-----|
| QUANTITY: | | NO. |
|-----------|--|-----|



Please note, these trimline models are AKV's standard. Small deviations to the length of the rear leg may be required to suit the depth of roof support bracket.

AKV Trimline gutters are supplied in a range of precoat, mill finish and polyester powder coated finishes together with a full range of ancillary products including AKV Rainwater Goods, support bracketry, stopends and outlets.

For trimline gutters suitable for roof pitches greater than 12°, please contact the sales office 01388 775489

